

# TECHNICAL DATA SHEET

## RADIAL FAN nr. AFGG-35\_24



G&G filtration CZ, s.r.o.

A Hrubínova 1903/9, 66451 Šlapanice, CZ  
 IČ 05226953 IČ DPH CZ05226953  
 E [info@ggf.cz](mailto:info@ggf.cz) W [www.ggf.cz](http://www.ggf.cz)

**ITEM1**

Document printed by Aeraulica - Dimensions and performances can be changed without prior notice

Type and characteristics of the requested machine				performance on		Outlet	
Flow rate	60000 [m3/h]	Capacity (Normal)			55907 [Nm3/h]		
Total pressure	3550 [Pa]	Static pressure					
Working fluid temperature	20 [°C]	Fluid specific weight			1.204 [Kg/m3]		
Installation altitude	0 asl [m]	Specific weight std (20 [°C], 0 asl [m])			1.204 [Kg/m3]		
Suggested model and effective characteristics				performance on		Outlet	
Model	<b>RM 1120/4-II</b>	Execution	E04	Installation Type	<b>A (free inlet and outlet)</b>		
Fluid specific weight	1.204	1.204 [Kg/m3]		Revolution fan speed		1480 [rpm]	
Total pressure	3387	3387 [Pa]		Orientation		RD 0	
Static pressure	2877	2877 [Pa]		Sound power LwA		130.07 [dB(A)]	
Flow rate	60000	60000 [m3/h]		Sound pressure at mt.1.5 1/2 sf in open field		116.77 [dB(A)]	
Capacity (Normal)	55907	55907 [Nm3/h]		Pipings	s>3mm = +3dB; 1mm<s<3mm = +4,5dB; s<1mm = +6dB		
Power dem. at shaft	80.422	80.422 [kW]		Fan efficiency	Outlet	70.18	%
Motor power demand	80.422	80.422 [kW]					
Characteristics of chosen motor				Motor efficiency IEC 60034-30		IE3	PD <sup>2</sup> impeller
Code	<b>280M04-50/std3P</b>	shape	B3	Efficiency	95.2 95.5 95.3		120.0 kgm <sup>2</sup>
Rated power	90.0 [kW]	n° poles	4 rpm 1485	Load	100% 75% 50%		PD <sup>2</sup> needed 119.19 kgm <sup>2</sup>
							PD <sup>2</sup> motor 297 kgm <sup>2</sup>
ErP 2009/125/CE Regulament (UE) N. 327/2011				Notes			
Efficiency grade	<b>64</b>		N 73.3	Total efficiency		75.48	%
Impeller type	backward blades	Type of test	B/total	Flow rate	41364 [m3/h]	Pressure	4754 [Pa]
<b>NOTE</b>	Performance on Outlet RM 1120/4-II - E04 - D=1.12[m] - ρ=1.204[kg/m <sup>3</sup> ] - T=20[°C] - 0[m]a.s.l.						
Rpm Limit	<=60 °C: 1500 Rpm						
values of the noise of fan obtained in ambient not reverberant with inlet and outlet ducts fully insulated							

# TECHNICAL DATA SHEET

## RADIAL FAN nr. AFGG-35\_24



G&G filtration CZ, s.r.o.

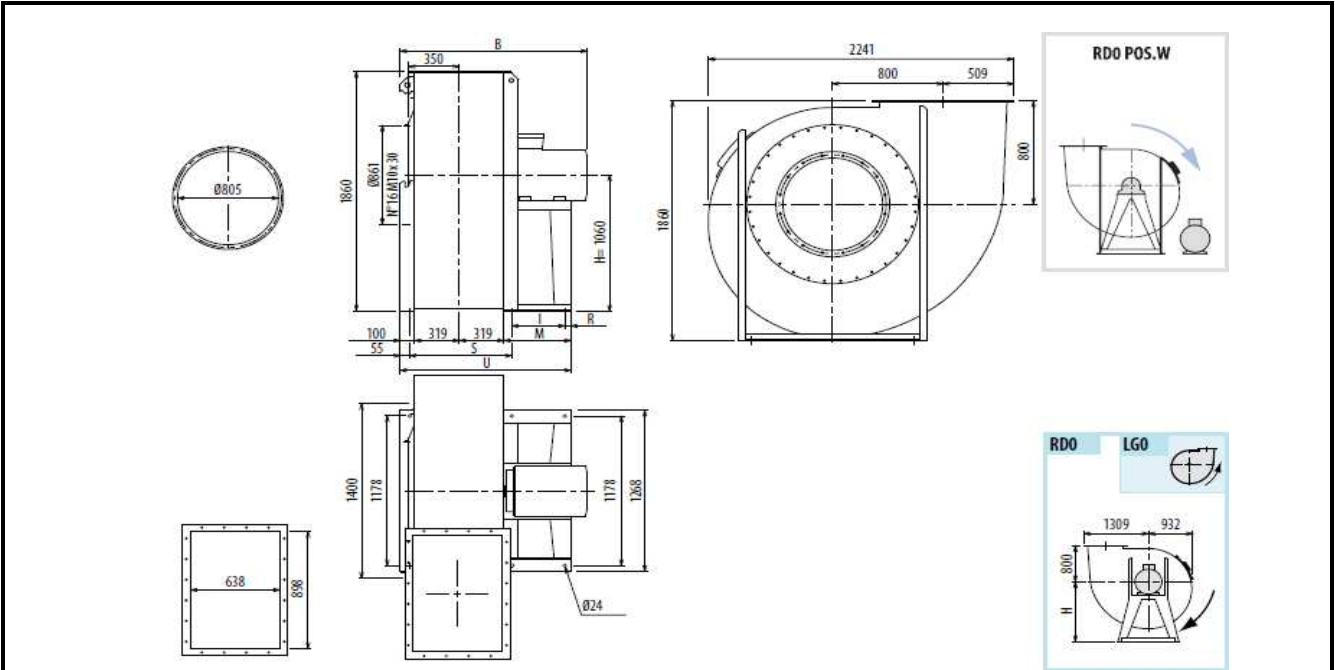
A Hrubínova 1903/9, 66451 Šlapanice, CZ

IČ 05226953 IČ DPH CZ05226953

E [info@ggf.cz](mailto:info@ggf.cz) W [www.ggf.cz](http://www.ggf.cz)

### ITEM1

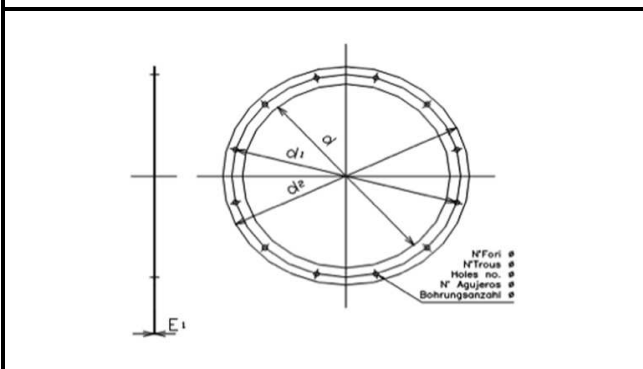
Document printed by Aeraulica - Dimensions and performances can be changed without prior notice



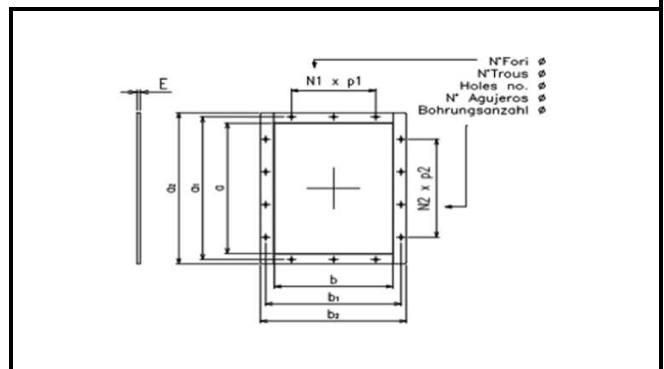
Indicative measures in the standard configuration. For detailed information contact your reference.

Indicative value of weight including standard motor.

B	I	H	H1	R	S	M	U	PD2	kg
1558	565	1060	800	45	763	690	1428	120	1486



Cod	dxn°	d1	d2	Φ	E1
0805 A	805x16	861	905	14	6



Cod	axb	a1	b1	a2	b2
0898x0638	898x638	968	708	1018	758

N1xp	N2xp	n°	Φ	E
3x200	4x200	18	14	8