

TECHNICAL DATA SHEET

RADIAL FAN nr. AFGG-35_15



G&G filtration CZ, s.r.o.

A Hrubínova 1903/9, 66451 Šlapanice, CZ
 IČ 05226953 IČ DPH CZ05226953
 E info@ggf.cz W www.ggf.cz

ITEM1

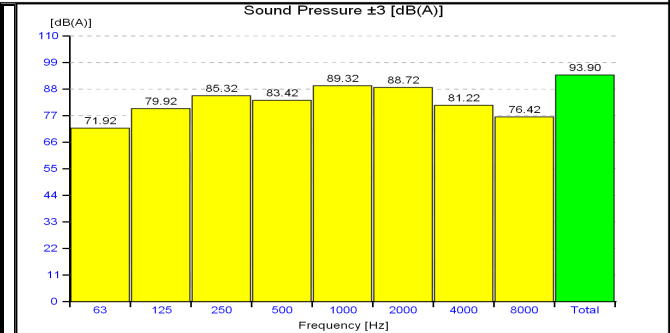
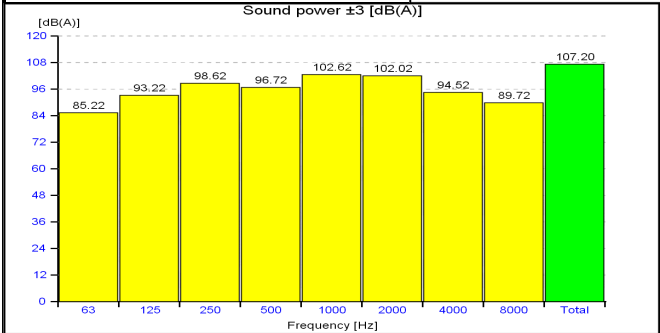
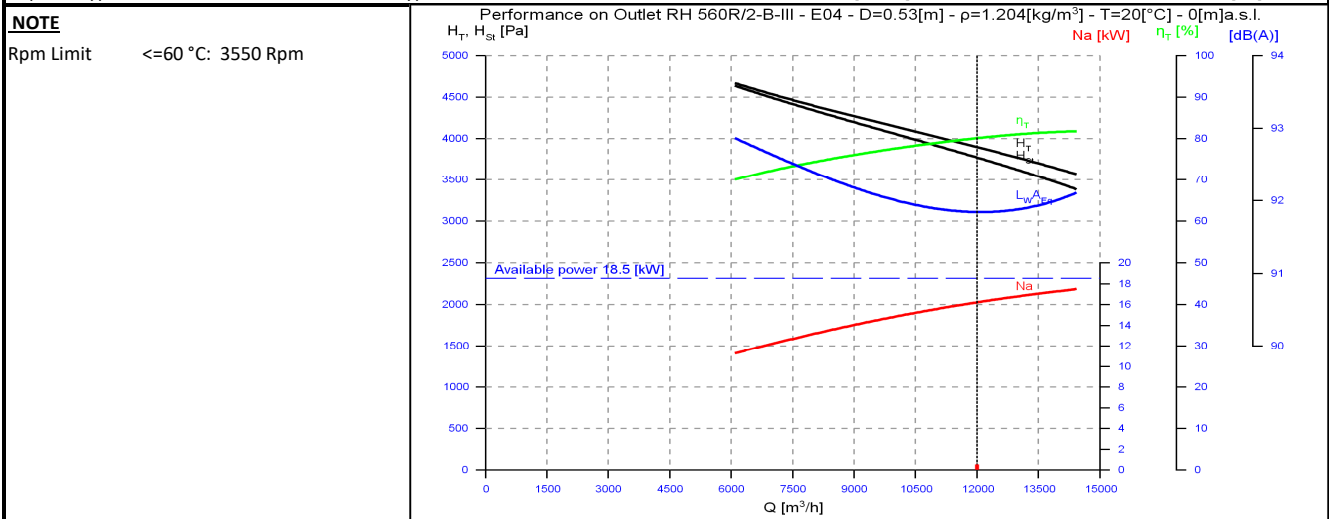
Document printed by Aeraulica - Dimensions and performances can be changed without prior notice

Type and characteristics of the requested machine		performance on		Outlet
Flow rate	12000 [m3/h]	Capacity (Normal)		11181 [Nm3/h]
Total pressure	3550 [Pa]	Static pressure		
Working fluid temperature	20 [°C]	Fluid specific weight		1.204 [Kg/m3]
Installation altitude	0 asl [m]	Specific weight std (20 [°C], 0 asl [m])		1.204 [Kg/m3]

Suggested model and effective characteristics				performance on		Outlet
Model	RH 560R/2-B-III	Execution	E04	Installation Type	A (free inlet and outlet)	
Fluid specific weight	1.204	1.204 [Kg/m3]		Revolution fan speed		2960 [rpm]
Total pressure	3896	3896 [Pa]		Orientation		RD 0
Static pressure	3770	3770 [Pa]		Sound power LwA		107.2 [dB(A)]
Flow rate	12000	12000 [m3/h]		Sound pressure at mt.1.5 1/2 sf in open field		93.9 [dB(A)]
Capacity (Normal)	11181	11181 [Nm3/h]		Pipings	s>3mm = +3dB; 1mm<s<3mm = +4,5dB; s<1mm = +6dB	
Power dem. at shaft	16.211	16.211 [kW]		Fan efficiency	Outlet	80.11 %
Motor power demand	16.211	16.211 [kW]				

Characteristics of chosen motor				Motor efficiency IEC 60034-30			PD ² impeller	3.6 kgm ²			
Code	160L02-50/std3	shape	B3	Efficiency	92.4	92.8	92.4	PD ² needed	3.61 kgm ²		
Rated power	18.5 [kW]	n° poles	2	rpm	2955	Load	100%	75%	50%	PD ² motor	20.5 kgm ²

ErP 2009/125/CE Regulament (UE) N. 327/2011		Notes	
Efficiency grade	64	N	75.2
Impeller type	backward blades	Type of test	B/total
		Flow rate	14441.4 [m3/h]
		Pressure	3381 [Pa]
		Total efficiency	75.86 %



values of the noise of fan obtained in ambient not reverberant with inlet and outlet ducts fully insulated

TECHNICAL DATA SHEET

RADIAL FAN nr. AFGG-35_15



G&G filtration CZ, s.r.o.

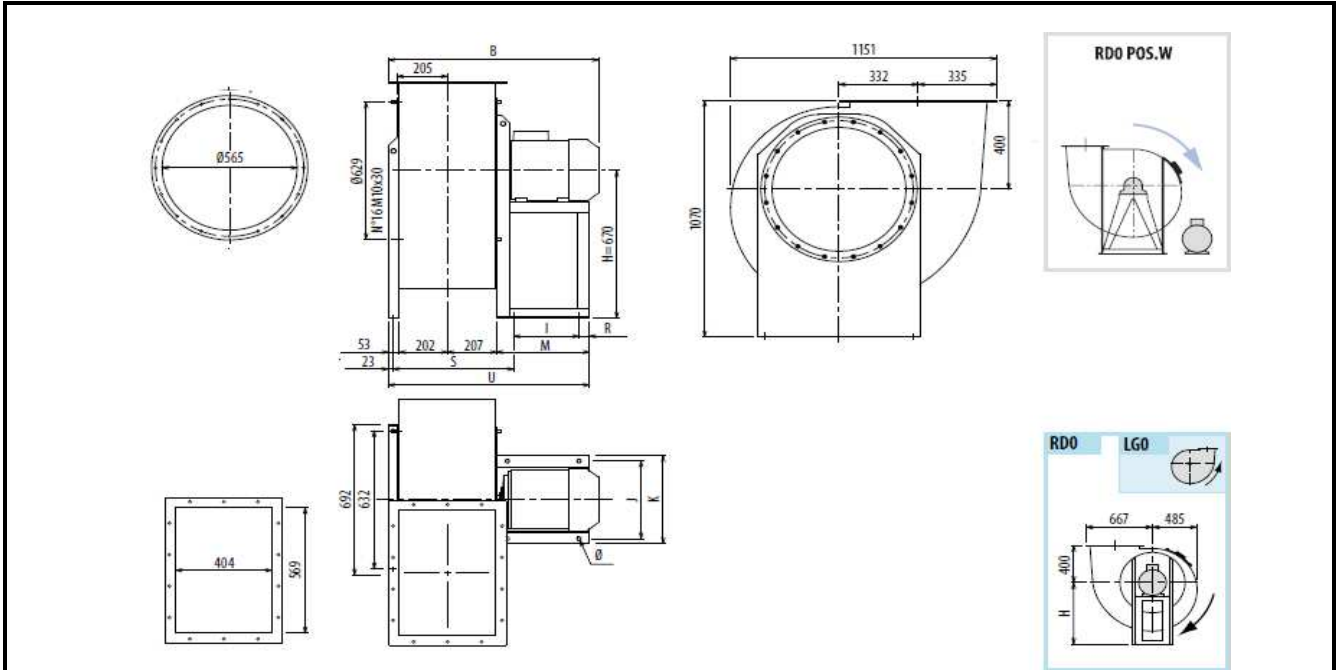
A Hrubínova 1903/9, 66451 Šlapanice, CZ

IČ 05226953 IČ DPH CZ05226953

E info@ggf.cz W www.ggf.cz

ITEM1

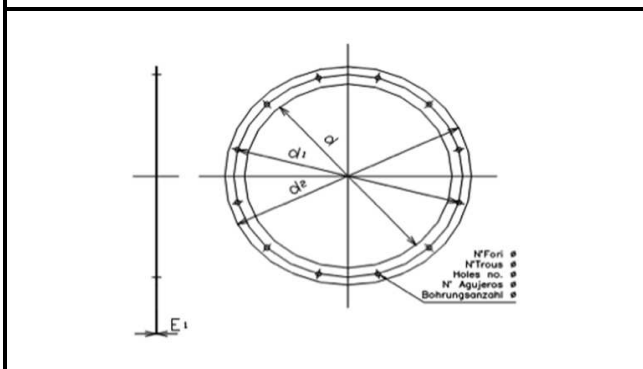
Document printed by Aeraulica - Dimensions and performances can be changed without prior notice



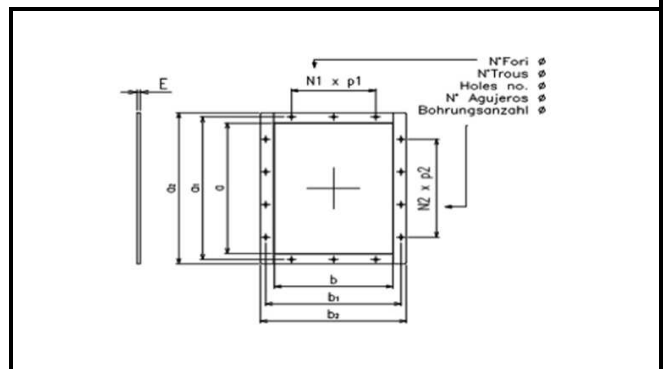
Indicative measures in the standard configuration. For detailed information contact your reference.

Indicative value of weight including standard motor.

B	I	H	H1	H2	J	K	M	R	S	U	Φ	PD2
1036	337	670	400	670	395	440	40	51	488	902	14	3,6
kg												
273												



Cod	dxn°	d1	d2	Φ	E1
0565 B	565x16	629	665	14	4



Cod	axb	a1	b1	a2	b2
0569x0404	569x404	629	464	669	504

N1xp	N2xp	n°	Φ	E
2x160	3x160	14	14	4

