

# TECHNICAL DATA SHEET

## RADIAL FAN nr. AFGG-25\_14



G&G filtration CZ, s.r.o.

A Hrubínova 1903/9, 66451 Šlapanice, CZ  
 IČ 05226953 IČ DPH CZ05226953  
 E [info@ggf.cz](mailto:info@ggf.cz) W [www.ggf.cz](http://www.ggf.cz)

**ITEM1**

Document printed by Aeraulica - Dimensions and performances can be changed without prior notice

Type and characteristics of the requested machine				performance on		Outlet			
Flow rate	9500 [m3/h]	Capacity (Normal)				8852 [Nm3/h]			
Total pressure	2500 [Pa]	Static pressure							
Working fluid temperature	20 [°C]	Fluid specific weight				1.204 [Kg/m3]			
Installation altitude	0 asl [m]	Specific weight std (20 [°C], 0 asl [m])				1.204 [Kg/m3]			
Suggested model and effective characteristics				performance on		Outlet			
Model	<b>RH 450/2-A-I</b>	Execution	E04	Installation Type	<b>A (free inlet and outlet)</b>				
Fluid specific weight	1.204	1.204 [Kg/m3]		Revolution fan speed		2955 [rpm]			
Total pressure	2439	2439 [Pa]		Orientation		RD 0			
Static pressure	2242	2242 [Pa]		Sound power LwA		103.76 [dB(A)]			
Flow rate	9500	9500 [m3/h]		Sound pressure at mt.1.5 1/2 sf in open field		90.46 [dB(A)]			
Capacity (Normal)	8852	8852 [Nm3/h]		Pipings	s>3mm = +3dB; 1mm<s<3mm = +4,5dB ; s<1mm = +6dB				
Power dem. at shaft	7.906	7.906 [kW]		Fan efficiency	Outlet	81.4	%		
Motor power demand	7.906	7.906 [kW]							
Characteristics of chosen motor				Motor efficiency IEC 60034-30		IE3	PD <sup>2</sup> impeller	1.8 kgm <sup>2</sup>	
Code	<b>160MA2-50/std3</b>	shape	B3	Efficiency	91.2	91	91	PD <sup>2</sup> needed	1.8 kgm <sup>2</sup>
Rated power	11.0 [kW]	n° poles	2	rpm	2955	2955	50%	PD <sup>2</sup> motor	14.4 kgm <sup>2</sup>
ErP 2009/125/CE Regulament (UE) N. 327/2011				Notes					
Efficiency grade	<b>64</b>		N	75.1	Total efficiency		74.38	%	
Impeller type	backward blades	Type of test	B/total	Flow rate	8952.48 [m3/h]	Pressure	2369 [Pa]		
<b>NOTE</b>				Performance on Outlet RH 450/2-A-I - E04 - D=0.45[m] - ρ=1.204[kg/m <sup>3</sup> ] - T=20[°C] - 0[m]a.s.l.					
Rpm Limit	<=60 °C: 3050 Rpm								
values of the noise of fan obtained in ambient not reverberant with inlet and outlet ducts fully insulated									

# TECHNICAL DATA SHEET

## RADIAL FAN nr. AFGG-25\_14



G&G filtration CZ, s.r.o.

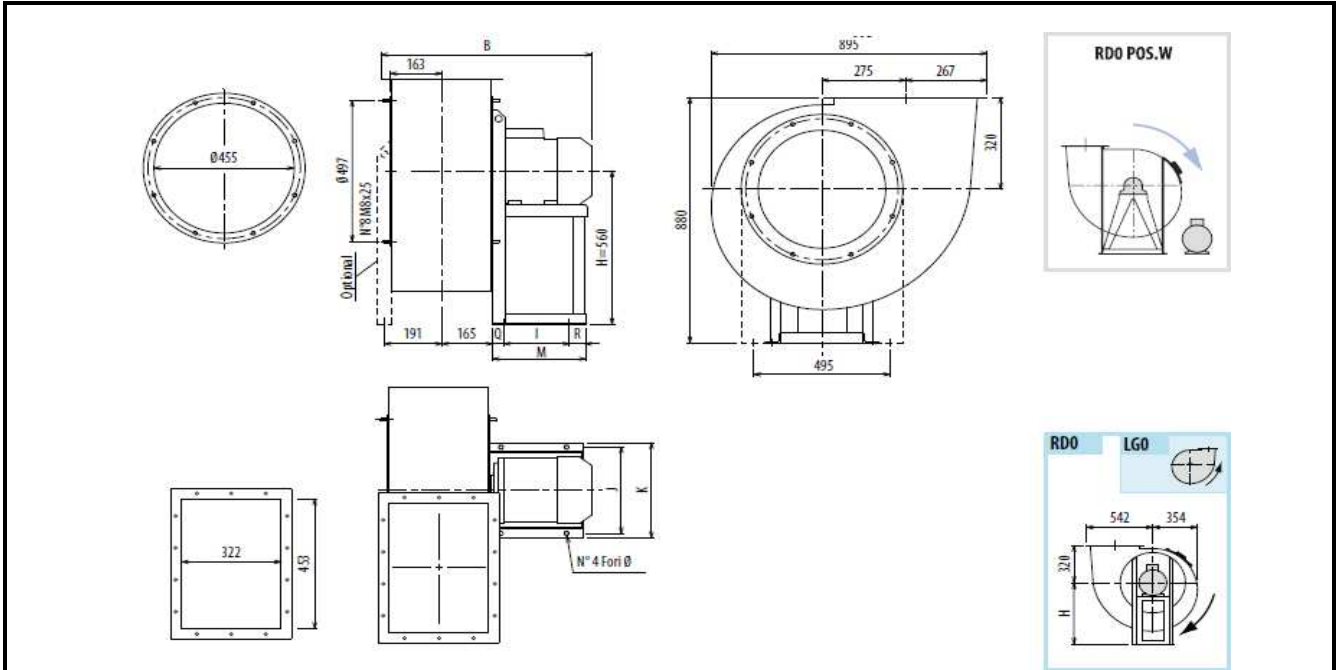
A Hrubínova 1903/9, 66451 Šlapanice, CZ

IČ 05226953 IČ DPH CZ05226953

E [info@ggf.cz](mailto:info@ggf.cz) W [www.ggf.cz](http://www.ggf.cz)

### ITEM1

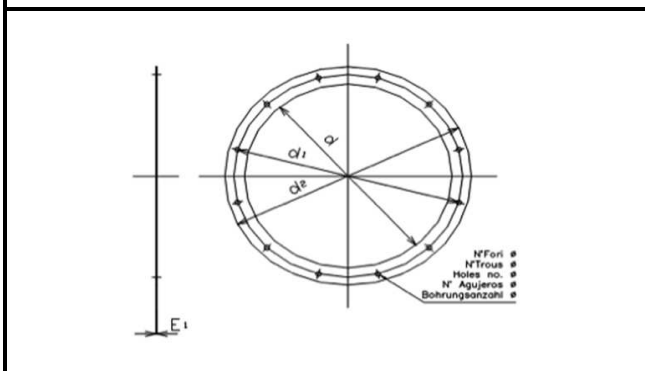
Document printed by Aeraulica - Dimensions and performances can be changed without prior notice



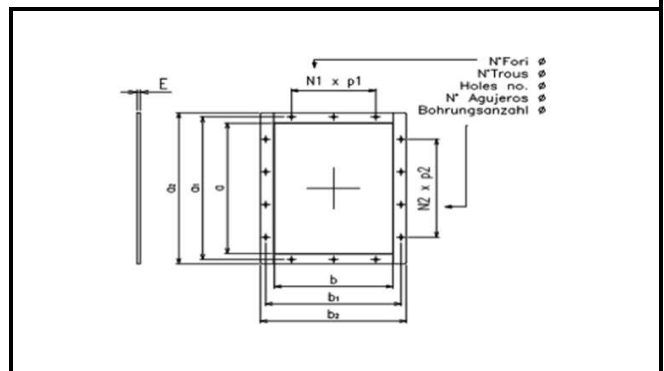
Indicative measures in the standard configuration. For detailed information contact your reference.

Indicative value of weight including standard motor.

B	I	H	H1	H2	J	K	M	Q	R	Φ	PD2	kg
860	337	560	320	560	395	440	446	55	54	14	1,8	161



Cod	dxn°	d1	d2	Φ	E1
0455 B	455x8	497	535	12	4



Cod	axb	a1	b1	a2	b2
0453x0322	453x322	497	366	533	402

N1xp	N2xp	n°	Φ	E
2x125	3x125	14	12	4